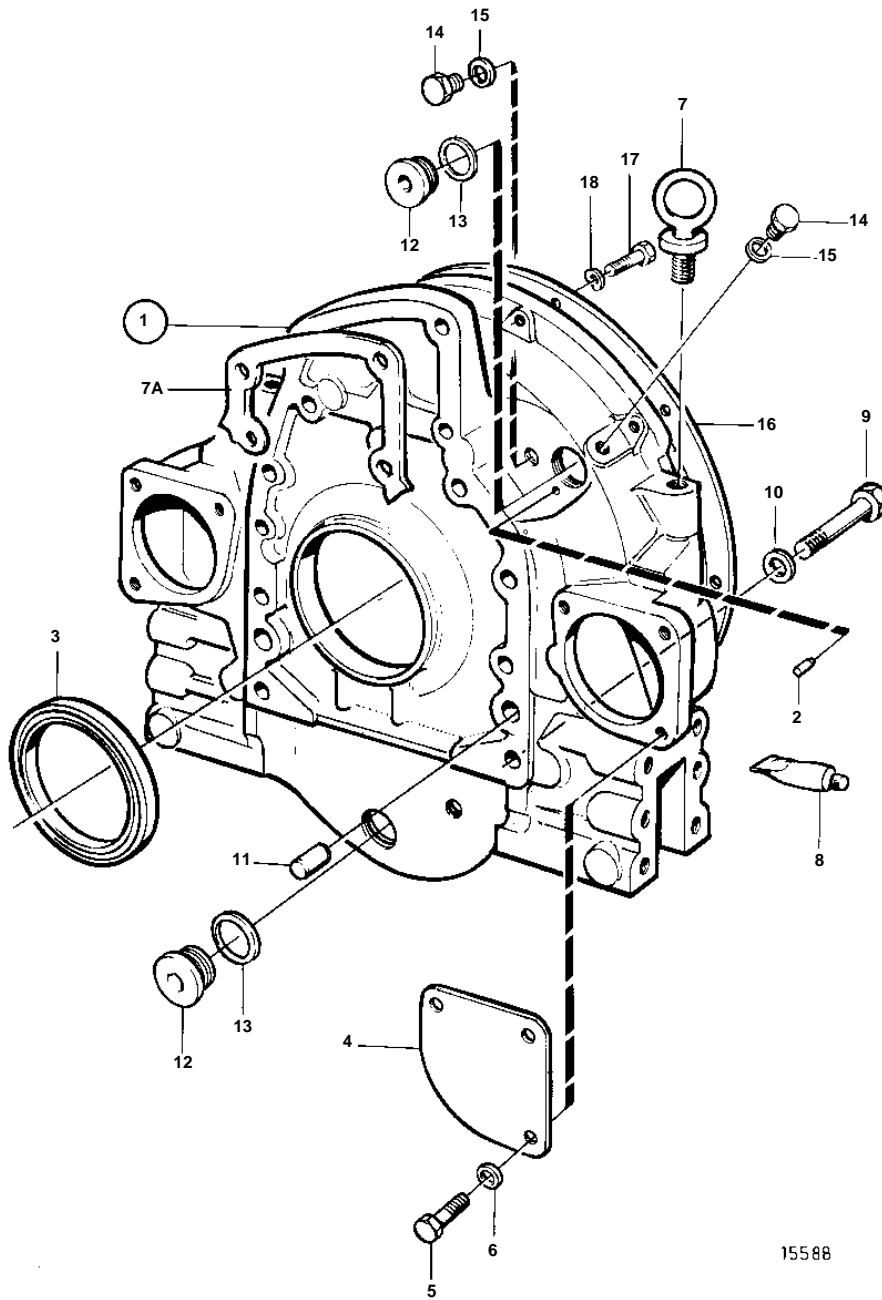


TD100G-87



15588

TD100G-87

REF	PART NO.	QTY	DESCRIPTION	NOTES
1	848961	1	Flywheel housing	SAE 1
			Flywheel housing	ALLISON CONVERTER
2	403270	1	• Pin	
3	849567	1	Sealing ring	STD
	849567	2	Sealing ring	TWIN DISC 6-F-1509-1, WET
4	423081	1	Flange	
5	940114	3	Screw	
6	942336	7	Spring washer	
7	942345	2	Lifting eye	SO
7A	424621	1	Gasket	EARLY TYPE
8	1161231	X	Sealant	304 ml, LATE TYPE
	1161277	X	Sealant	10g
9	955582	2	Screw	L=70mm
	955587	2	Screw	L=102mm
	955580	8	Screw	L=57mm
10	941911	12	Spring washer	
11	191171	2	Pin	
12	467365	1	Plug	EARLY TYPE
	467365	2	Plug	LATE TYPE
13	469327	1	Gasket	EARLY TYPE
	469327	2	Gasket	LATE TYPE
14	180761	1	Plug	EARLY TYPE
	180761	2	Plug	LATE TYPE
15	11996	1	Gasket	EARLY TYPE
	11996	2	Gasket	LATE TYPE
16	803172	1	Spacer ring	TWIN DISC 6-F-1509-1
	803172	1	Spacer ring	CLARK 34000, C5000, C8000
		1	Spacer ring	SAE 1-2
		1	Intermediate ring	SAE 1-3
17	955549	2	Screw, 7/16UNCx45mm	TWIN DISC 6-F 1509-1
	955550	2	Screw, 7/16UNCx51mm	CLARK 34000, C5000, C8000
	940160	12	Screw, 7/16UNCx38mm	SAE 1-2
	955549	11	Screw, 7/16UNCx45mm	SAE 1-3
	940116	1	Screw, 7/16UNCx25mm	SAE 1-3
18	941909	X	Spring washer	

7745710 - 21 - 1747

15588

Upd: 07 JUL 2006

TD100G-87 SN-2100291137, TD1030ME, TWD1030ME

VOLVO
PENTA